





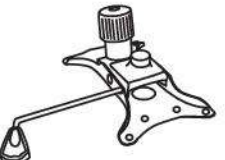

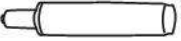

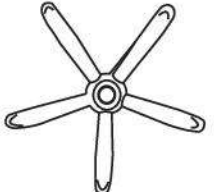

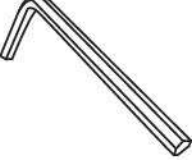


INSTRUKCJA MONTAŻU/Assembly Instruction

Q-025/D-8009A

| | |
|--|---|
| AX1  | GX5  |
| BX1  | HX4  |
| CX1(L)X(R)  | IX6  |
| DX1  | JX4  |
| EX1  | KX8  |
| FX1  | LX6  |
| | MX1  |

